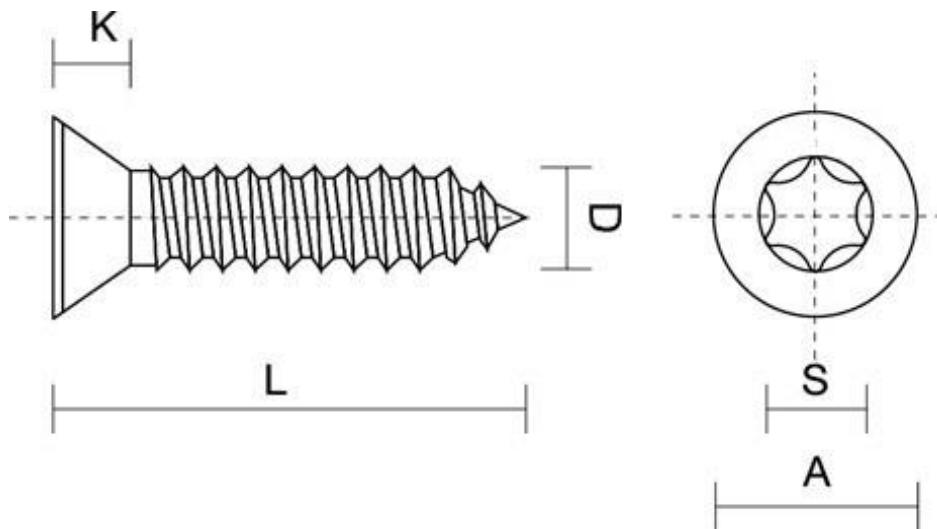


CSK PIN TORX® SELF TAPPING SCREW

DIN7982-TORX

Csk pin Torx® self tapping screws to DIN7982-Torx® available in Stainless Steel A2 and steel zinc plated to order. Suitable for use when a tamper-proof fixing is required in sheet steel or with a wall plug into brick and some stone work.



Countersunk screw lengths L are always measured including the head.

DIN 7982 PIN TORX COUNTERSUNK SELF TAPPING SCREWS						
D	No4(2.9)	No6(3.5)	No8(4.2)	No10(4.8)	No12(5.5)	No14(6.3)
A Max.	5.50	6.60	7.90	9.30	10.40	12.40
K Max.	1.70	2.10	2.50	3.00	3.40	3.80
S	T10	T15	T20	T25	T27	T30